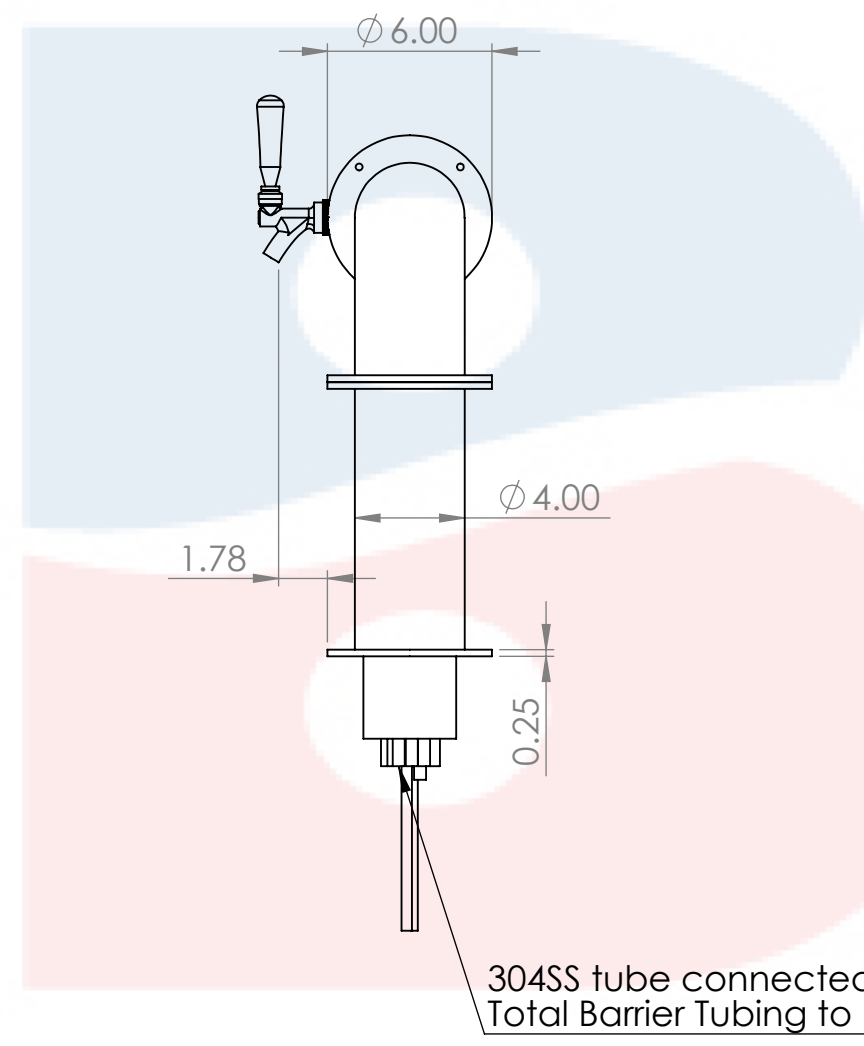
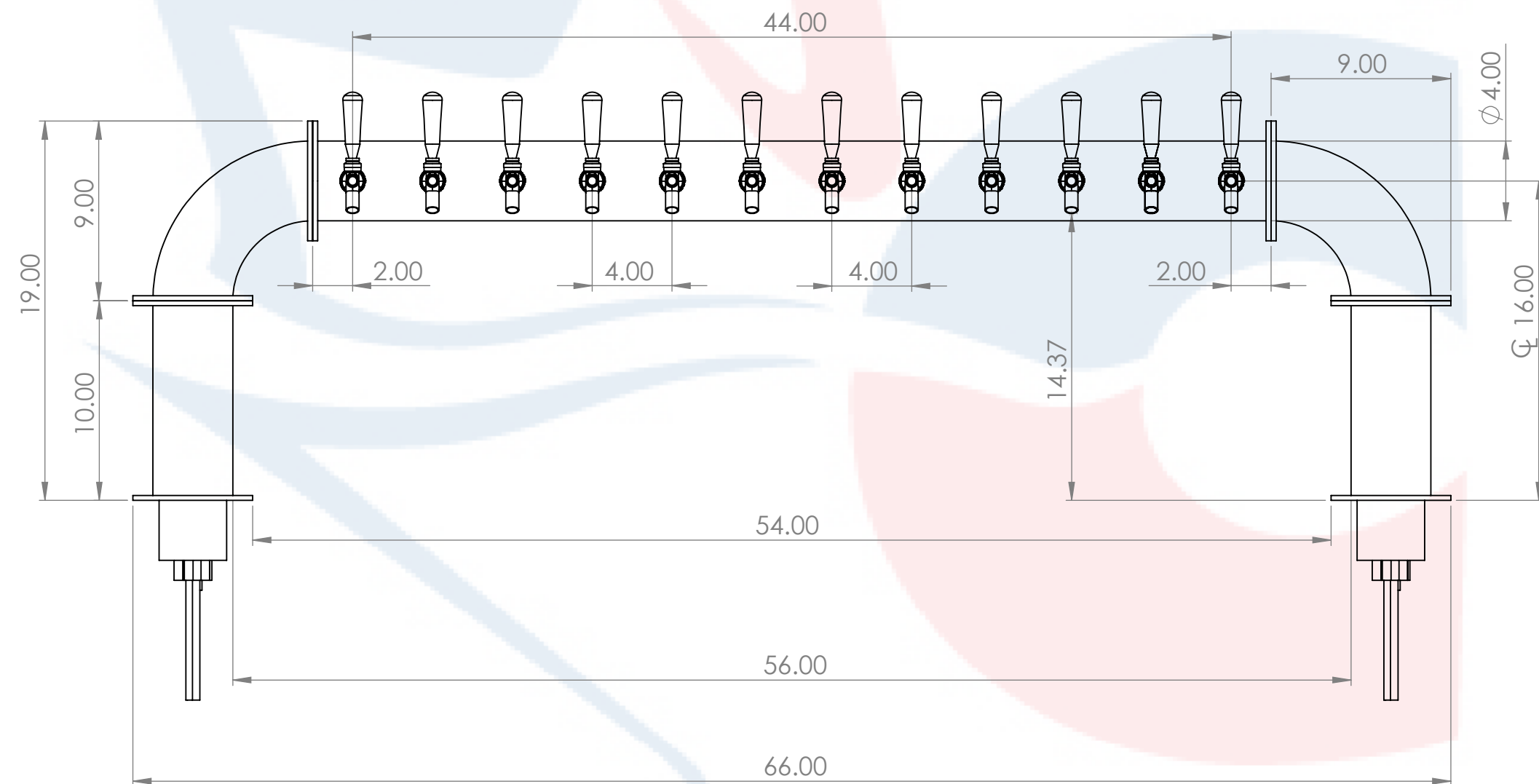
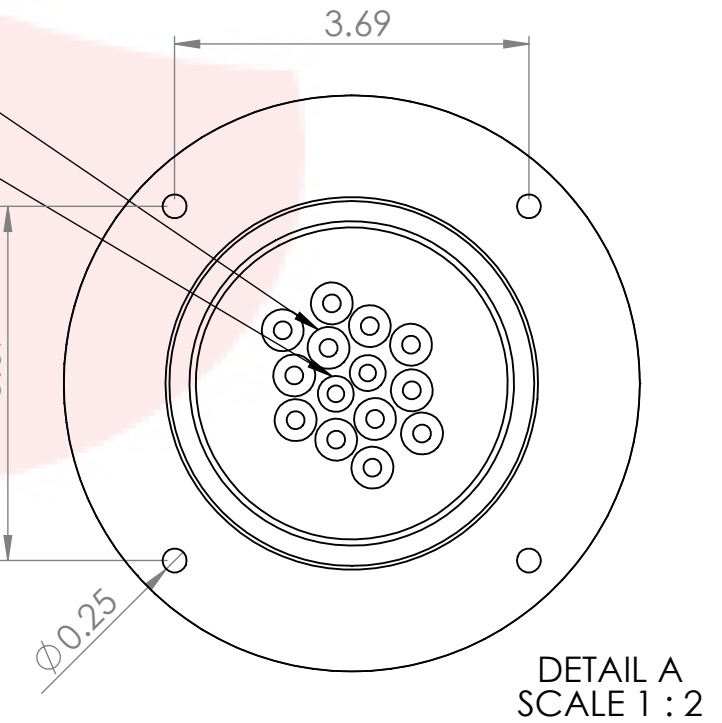


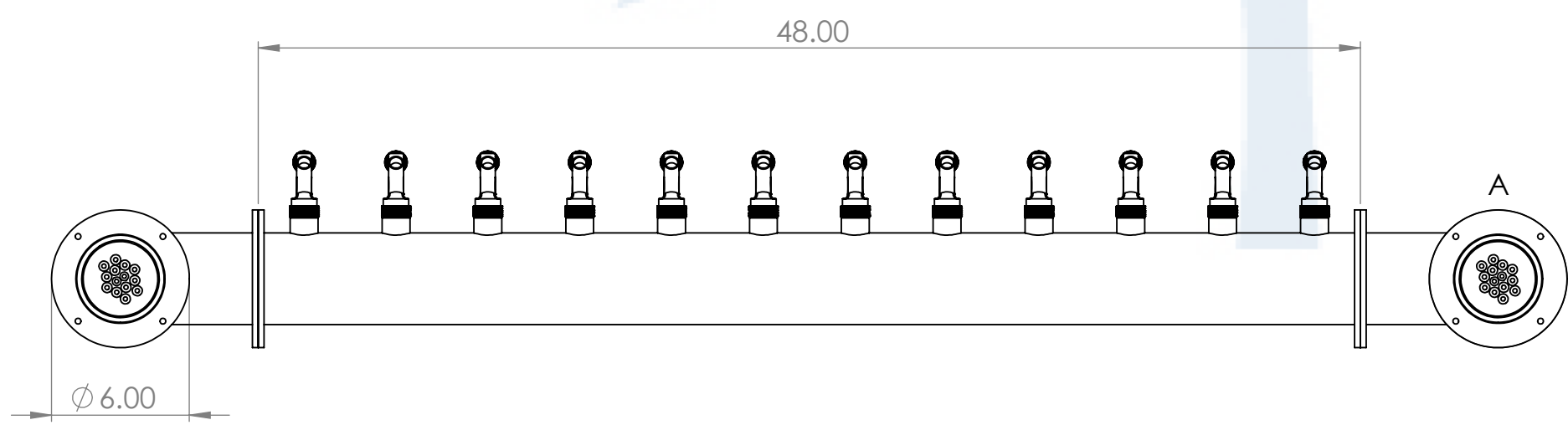
Isometric View  
(For reference purpose only)



12 beer lines: 3/16" ID x 7/16" OD  
2 recirculation lines: 3/8" OD ACR copper



DETAIL A  
SCALE 1 : 2



Suggested Drip Tray:  
2 x BB701351 - 51" x 7" BSS Drip Tray  
2 x BB702451 - 51" x 7" BSS Spray Drip Tray



Name		Date		Title:	
Drawn by:	Canadian Beverage Supply Inc.	11/23/2022		4" 12 Tap Lions Gate Tower	
Approved by:		VP Sales		Part Number:	
Material:	304 SS	Finish:	Brushed SS	BB102629-12SSCK	
Unless otherwise mentioned, dimensions are inches				Revision:	
SCALE: 1:7				SHEET 1 OF 1	